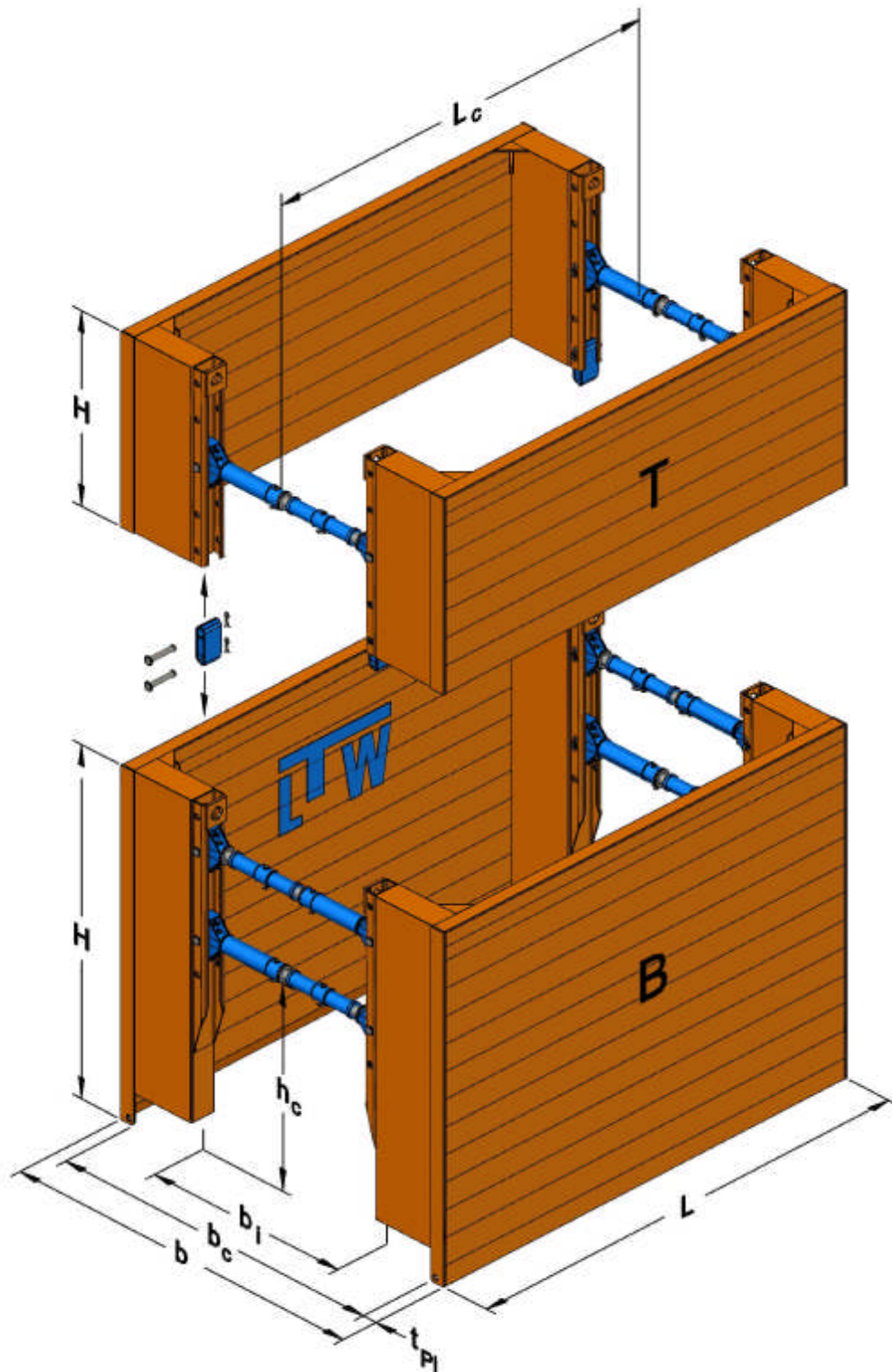


TECHNICAL CHARACTERISTICS

LTW MANHOLE BOX VB 100



SYSTEM VIEW



B Base Box
T Top Box
H Plate Height

b Shoring Width
b_c Inner Working Width
t_{Pl} Plate Thickness

h_c Pipe Culvert Height
L Plate Length
L_c Pipe Culvert Length

TECHNICAL CHARACTERISTICS

LTW MANHOLE BOX VB 100



BASE BOXES $t_{PI} = 100 \text{ mm}$

Plate length L [m]	Plate height H [m]	Pipe culvert length L _c [m]	Pipe culvert height h _c [m]	Limit state design load e _d [kN / m ²]	Plate weight G _{PL} [kg]	Box weight G _E [kg]
2,00	2,36 2,56	1,58	1,54 1,52	97,5	730 790	1750 1870
2,50	2,36 2,56	2,08	1,54 1,52	78,0	830 895	1950 2080
3,00	2,36 2,56	2,58	1,54 1,52	65,0	930 1000	2150 2290
3,50	2,36 2,56	3,08	1,54 1,52	55,7	1025 1105	2340 2500
4,00	2,36 2,56	3,58	1,54 1,52	44,6	1125 1210	2540 2710

TOP BOXES $t_{PI} = 100 \text{ mm}$

Plate length L [m]	Plate height H [m]	Pipe culvert length L _c [m]	Pipe culvert height h _c [m]	Limit state design load e _d [kN / m ²]	Plate weight G _{PL} [kg]	Box weight G _E [kg]
2,00	1,41	1,58		97,5	510	1170
2,50	1,41	2,08		78,0	575	1300
3,00	1,41	2,58		65,0	640	1430
3,50	1,41	3,08		55,7	705	1550
4,00	1,41	3,58		44,6	770	1680

TENSILE FORCES

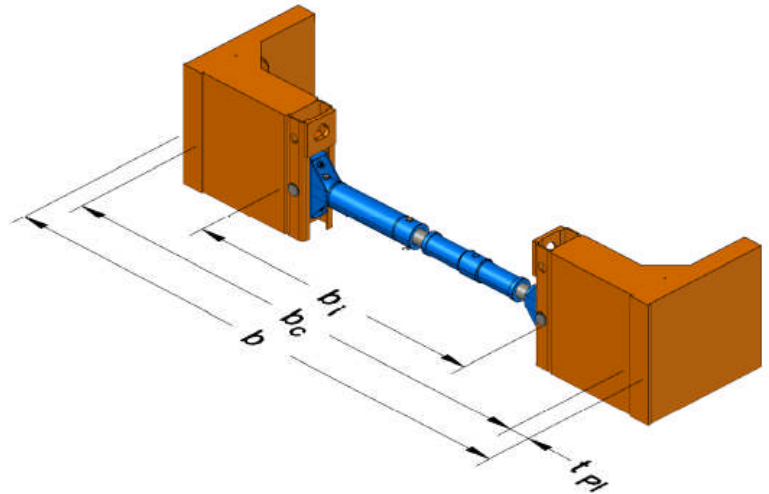
lifting eyes at the plate head $R_d = 229 \text{ kN}$
 bottom eyes $R_d = 47 \text{ kN}$

TECHNICAL CHARACTERISTICS

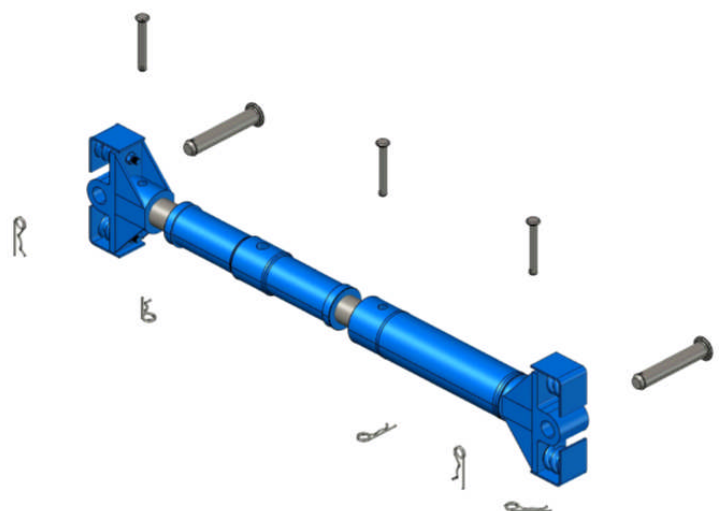
LTW MANHOLE BOX VB 100



STANDARD STRUT



Brace Extension [m]	Working Width between C-Profiles b_i [m]	Working Width between plates b_c [m]	Shoring Width b [m]	Weight G [kg]
<i>without</i>	0,99 - 1,29	1,99 - 2,29	2,20 - 2,50	71,0
0,30	1,29 - 1,59	2,29 - 2,59	2,50 - 2,80	15,5
0,50	1,49 - 1,79	2,49 - 2,79	2,70 - 3,00	20,0
0,80	1,79 - 2,09	2,79 - 3,09	3,00 - 3,30	26,7
1,00	1,99 - 2,29	2,99 - 3,29	3,20 - 3,50	31,1
1,50	2,49 - 2,79	3,49 - 3,79	3,70 - 4,00	42,3
2,00	2,99 - 3,29	3,99 - 4,29	4,20 - 4,50	53,4
2,50	3,49 - 3,79	4,49 - 4,79	4,70 - 5,00	64,5



A strut unit consists of two spring mushrooms, the strut and, if required, a brace extension.

spring mushroom
standard Stut
brace extension

bolt $\varnothing 20 \times 148$ with locking clip
bolt $\varnothing 40 \times 226$ with locking clip