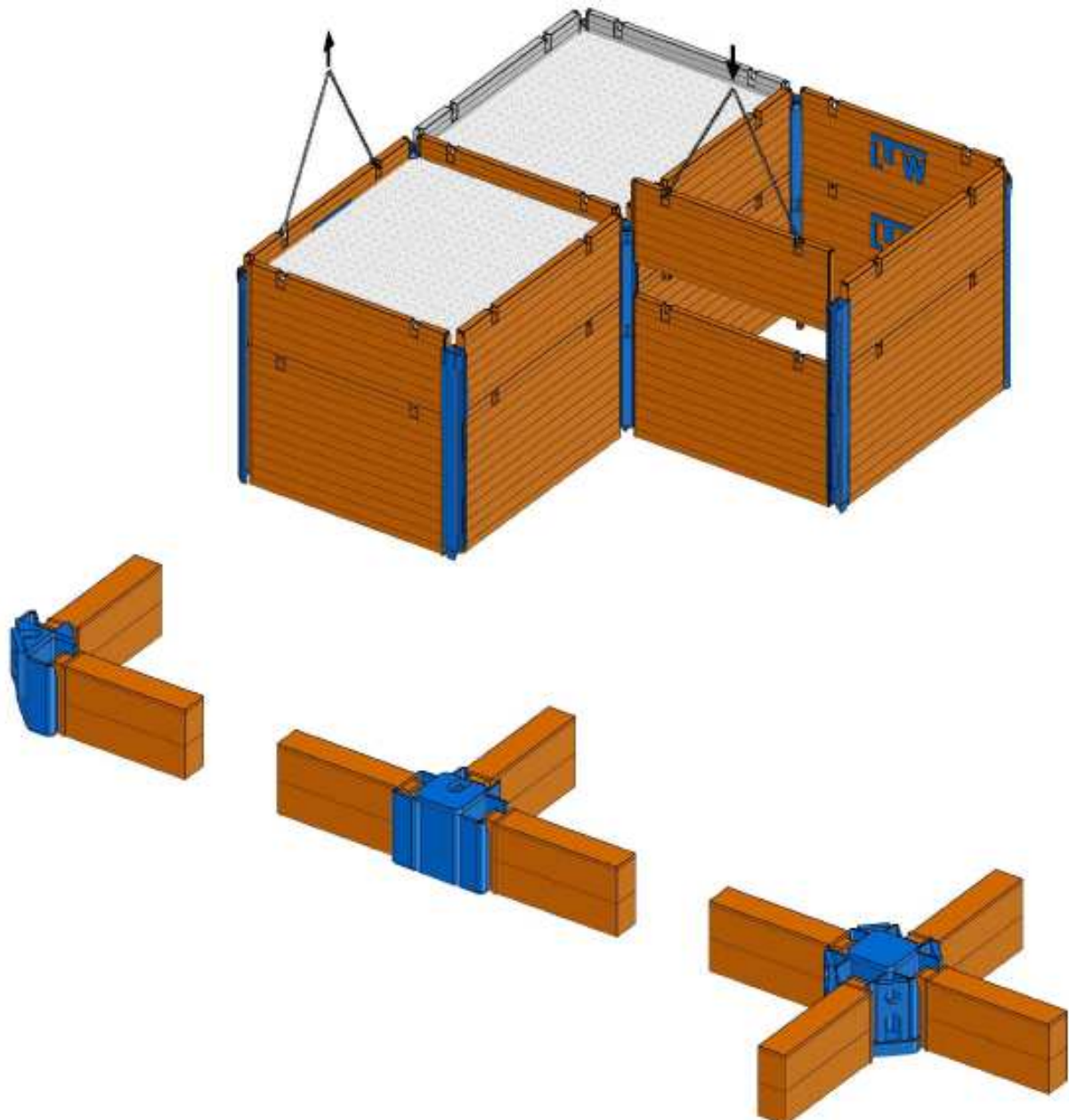


TECHNICAL CHARACTERISTICS

LTW EG CORNER - MANHOLE



SYSTEM VIEW



EG corner

EG corner 3-sided

EG corner 4-sided

TECHNICAL CHARACTERISTICS

LTW EG CORNER - MANHOLE



SLIDE RAIL SHORING PLATES

Plates VS 60

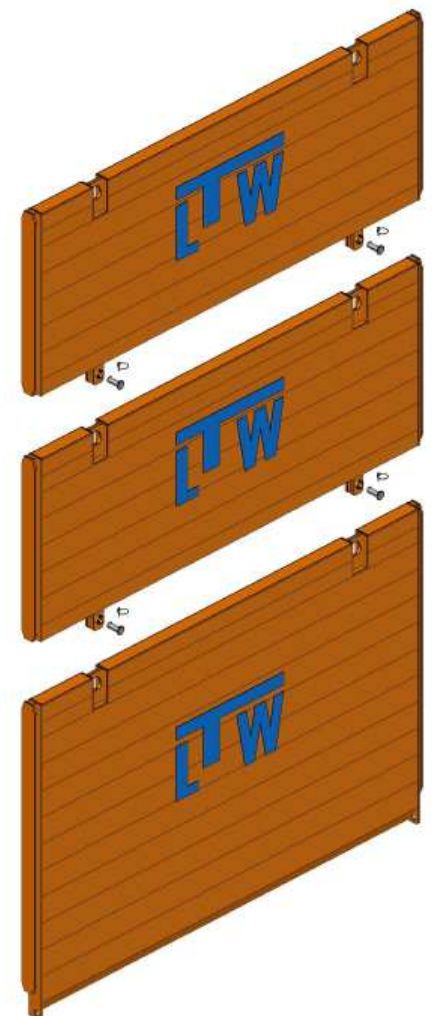
Plate length L [m]	Plate height H [m]	Plate thickness t_{PI} [mm]	Working width b_c [m]	Limit state design load e_d [kN / m ²]	Plate weight G_{PL} [kg]
2,00	2,40	60	~2,21	77,9	365
	1,32				215
	1,56				250
2,50	2,40	60	~2,71	50,1	445
	1,32				260
	1,56				300
3,00	2,40	60	~3,13	36,8	510
	1,32				295
	1,56				345

Plates VS 100

2,00	2,40	100	~2,13	171,6	510
	1,40				335
	1,60				370
2,50	2,40	100	~2,63	110,4	605
	1,40				400
	1,60				440
3,00	2,40	100	~3,05	81,1	690
	1,40				450
	1,60				500
3,50	2,40	100	~3,63	56,6	805
	1,40				525
	1,60				580

Plates VS 120

4,00	2,40	120	~4,09	71,0	1170
	1,40				745
	1,60				835
4,50	2,40	120	~4,59	56,2	1305
	1,40				830
	1,60				930
5,00	2,40	120	~5,09	72,1	1635
	1,40				1020
	1,60				1150

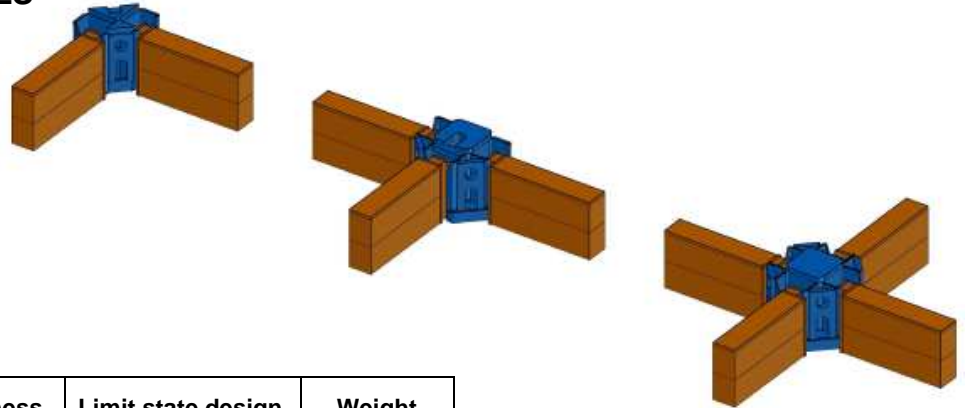


TECHNICAL CHARACTERISTICS

LTW EG CORNER - MANHOLE



CORNER SLIDE RAILS



EG CORNER KT

Raillength [m]	Railthickness t_{Tr} [mm]	Limit state design moment M_d [kNm]	Weight G_{Tr} [kg]
2,50	183	113	175
3,00			200
3,50			230
4,00			255

EG CORNER KT 3-sided

Raillength [m]	Railthickness t_{Tr} [mm]	Limit state design moment M_d [kNm]	Weight G_{Tr} [kg]
2,50	250	197	275
3,00			320
3,50			365
4,00			410

EG CORNER KT 4-sided

Raillength [m]	Railthickness t_{Tr} [mm]	Limit state design moment M_d [kNm]	Weight G_{Tr} [kg]
2,50	350	358	370
3,00			430
3,50			490
4,00			555



TECHNICAL CHARACTERISTICS

LTW EG CORNER - MANHOLE



ACCESSORIES

Description	Dimension	specified use for	Weight [kg]
<i>bolt</i>	$\varnothing 40 * 128$	<i>connection between Base and Extension Plates</i>	1,4
<i>locking clip [R]</i>	$\varnothing 6$	<i>locking clip for connecting bolt at plates</i>	0,1
protection rail for VS 100 & 120			
<i>protection rail</i>	<i>L = 1800</i>	<i>for Plate length 2,00m</i>	151
<i>protection rail</i>	<i>L = 2300</i>	<i>for Plate length 2,50m</i>	188
<i>protection rail</i>	<i>L = 2500</i>	<i>for Plate length 3,00m</i>	203
<i>protection rail</i>	<i>L = 3300</i>	<i>for Plate length 3,50m</i>	264
<i>protection rail</i>	<i>L = 3800</i>	<i>for Plate length 4,00m</i>	304
<i>protection rail</i>	<i>L = 4300</i>	<i>for Plate length 4,50m</i>	341
<i>protection rail</i>	<i>L = 4800</i>	<i>for Plate length 5,00m</i>	378

TENSILE FORCES

lifting eyes at the rail head $R_d = 226 \text{ kN}$

lifting eyes at the plate head $R_d = 229 \text{ kN}$

bottom eyes at the plate $R_d = 47 \text{ kN}$

